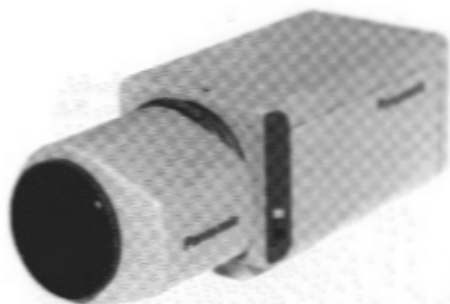


CCTV Cameras

WV-BP130/WV-BP132/WV-BP134

# Operating Instructions



(Lens : option)

**Panasonic**®

Before attempting to connect or operate this product,  
please read these instructions completely.

ENGLISH

FRANÇAIS

**CAUTION**RISK OF ELECTRIC SHOCK  
DO NOT OPEN**CAUTION:**

TO REDUCE THE RISK OF ELECTRIC SHOCK, DO NOT REMOVE COVER (OR BACK). NO USER SERVICEABLE PARTS INSIDE. REFER SERVICING TO QUALIFIED SERVICE PERSONNEL.



SA 1965

The lightning flash with arrowhead symbol, within an equilateral triangle, is intended to alert the user to the presence of uninsulated "dangerous voltage" within the product's enclosure that may be of sufficient magnitude to constitute a risk of electric shock to persons.



SA 1966

The exclamation point within an equilateral triangle is intended to alert the user to the presence of important operating and maintenance (servicing) instructions in the literature accompanying the appliance.

For U.S.A

**Warning:**

This equipment generates and uses radio frequency energy and if not installed and used properly, i.e., in strict accordance with the instruction manual, may cause harmful interference to radio communications. It has been tested and found to comply with the limits for a Class A computing device pursuant to Subpart J of Part 15 of FCC Rules, which are designed to provide reasonable protection against such interference when operated in a commercial environment.

The serial number of this product may be found on the top of the unit.

You should note the serial number of this unit in the space provided and retain this book as a permanent record of your purchase to aid identification in the event of theft.

Model No. \_\_\_\_\_

Serial No. \_\_\_\_\_

**WARNING:**

TO PREVENT FIRE OR ELECTRIC SHOCK HAZARD, DO NOT EXPOSE THIS APPLIANCE TO RAIN OR MOISTURE.

# CONTENTS

PREFACE .....	2
FEATURES .....	2
PRECAUTIONS .....	3
MAJOR OPERATING CONTROLS AND THEIR FUNCTIONS .....	4
CONNECTIONS .....	7
FOCUS OR FLANGE-BACK ADJUSTMENT .....	12
INSTALLATION OF CAMERA .....	13
PREVENTION OF BLOOMING AND SMEAR .....	14
SPECIFICATIONS .....	15
STANDARD ACCESSORIES .....	16

## PREFACE

Panasonic's WV-BP130 series introduces a new level of high picture quality and high resolution through the use of a 1/3-inch interline transfer CCD image sensor having 512 horizontal pixels (picture elements). This

model offers cutting-edge technology for advanced video surveillance.

## FEATURES

1. The following functions are built-in.
  - (1) Auto Light Control (ALC)/Electronic Light Control (ELC)
  - (2) Back Light Compensation
  - (3) Line-locked Sync or automatic switching Multiplexed Vertical Drive (VD2) (only WV-BP130 and WV-BP134)/Internal Sync or automatic switching VD2 (only WV-BP132)
2. Signal-to noise ratio of 46 dB
3. Minimum illumination of 0.08 lux (0.008 footcandle) with F1.4 lenses
4. Horizontal resolution of 380 lines
5. Shooting of indoor scenes with fixed iris lens by use of Electronic Light Control (ELC) function
6. Selectable auto iris control signal for the lens from a video signal or DC control signal

## PRECAUTIONS

**1. Do not attempt to disassemble the camera.**

To prevent electric shock, do not remove screws or covers.

There are no user serviceable parts inside. Ask a qualified service person for servicing.

**2. Handle the camera with care.**

Do not abuse the camera. Avoid striking, shaking, etc. The camera could be damaged by improper handling or storage.

**3. Do not expose the camera to rain or moisture, or try to operate it in wet areas.**

Turn the power off immediately and ask a qualified service person for servicing. Moisture can damage the camera and also create the danger of electric shock.

**4. Do not use strong or abrasive detergents when cleaning the camera body.**

Use a dry cloth to clean the camera when dirty.

In case the dirt is hard to remove, use a mild detergent and wipe gently.

**5. Clean the CCD faceplate with care.**

Do not clean the CCD with strong or abrasive detergents. Use lens tissue or a cotton tipped applicator and ethanol.

**6. Never face the camera towards the sun.**

Do not aim the camera at bright objects. Whether the camera is in use or not, never aim it at the sun or other extremely bright objects. Otherwise, blooming or smear may be caused.

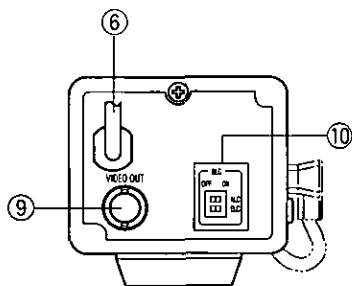
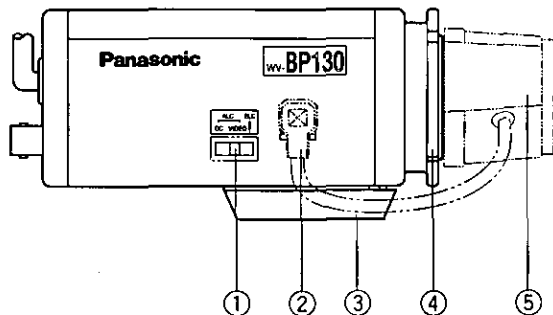
**7. Do not operate the camera beyond the specified temperature, humidity or power source ratings.**

Use the camera under conditions where temperature is between  $-10^{\circ}\text{C}$  -  $+50^{\circ}\text{C}$  ( $14^{\circ}\text{F}$  -  $122^{\circ}\text{F}$ ), and humidity is below 90%. The input power source is 120V AC 60Hz for WV-BL130, AC 24V 60 Hz for WV-BP134, 12V DC for WV-BL132.

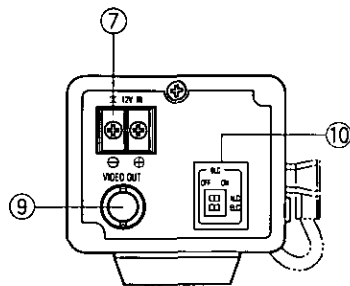
**Caution:**

To prevent fire or electric shock hazard, a UL listed wire (VW-1, style 1007) should be used for DC 12V or AC 24V Input Terminals.

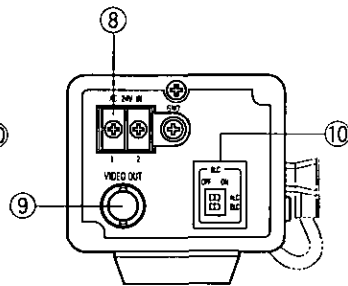
## MAJOR OPERATING CONTROLS AND THEIR FUNCTIONS



WV-BP130



WV-BP132



WV-BP134

① **Lens Type and Drive Signal Selector (ALC (VIDEO/DC), ELC)**

Lets you select the mode according to the lens type that is used with this camera.

**ALC:** Lets you select this mode when an auto iris lens (ALC lens) is used with this camera.

**ELC:** Select this mode when a fixed iris lens or manual iris lens is used with this camera.

If you have selected ALC select the mode according to the type of auto iris lens drive signal to be supplied to the lens from the auto iris lens connector.

**VIDEO:** Select this mode if you are using the auto iris lens that requires a video drive signal.

**DC:** Select this mode if you are using the auto iris lens that requires a DC drive signal.

② **Auto Iris lens Connector**

This connector is for connecting the auto iris lens by a 4-pin male connector supplied as a standard accessory (Part No. YFE4191J100).

③ **Camera Mounting Screw Hole**

This hole is for mounting the camera onto a mounting bracket.

④ **Flange-back Adjusting Ring**

This ring adjusts the back focal length or picture focus. Rotate this ring clockwise for a C-mount lens or counterclockwise for a CS-mount lens.

⑤ **Lens (option)**

⑥ **Power Cord (only WV-BP130)**

Connect this power cord to an electrical outlet of 120V AC 60 Hz.

⑦ **DC 12 V Input Terminal (DC 12V IN (only WV-BP132))**

This terminal is for connecting the 12V DC power supply cord.

⑧ **24V AC Input Terminal (AC 24V IN (only WV-BP134))**

This terminal is for connecting the AC 24V 60 Hz power supply cord.

⑨ **Video Output Connector (VIDEO OUT)**

This connector is for connecting with the VIDEO IN connector of the monitor.

⑩ **Back Light Compensation On/Off Selectors  
(BLC ON/OFF, ALC/ELC)**

Lets you select BLC ON or OFF according to the position of the object and light condition in the screen.

**BLC ON:** Select this mode if the background light is strong such as a spotlight. The back light compensation functions.

**OFF:** Normal camera picture is displayed.

1. Confirm the position of the lens type and drive signal selector.
2. If you have selected ALC (VIDEO/DC), use the upper selector (ALC) to select the mode.

If ELC is selected, select the mode by lower selector (ELC).

**Cautions:**

1. Connect to 12V DC (10.5V-16V) or 24V AC (19.5V-28V) class 2 power supply only.  
Make sure to connect the grounding lead to the GND terminal when the power is supplied from a 24V AC power source.
2. To prevent fire or electric shock hazard, use a UL listed wire VW-1, style 1007 cable for the Input Terminal.



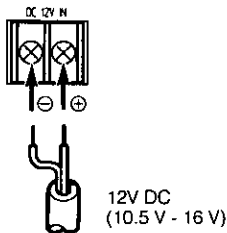
## CONNECTIONS

### A. WV-BP130 (120V AC 60 Hz)

Connect the power cord to an electrical outlet of 120V AC 60 Hz.

### B. WV-BP132 (12V DC)

Connect the power cord to the DC 12V IN terminal on the rear panel of the WV-BP132.



Resistance of copper wire [at 20°C (68°F)]

Copper wire size (AWG)	#24 (0.22mm <sup>2</sup> )	#22 (0.33mm <sup>2</sup> )	#20 (0.52mm <sup>2</sup> )	#18 (0.83mm <sup>2</sup> )
Resistance Ω/m	0.078	0.050	0.030	0.018
Resistance Ω/ft	0.026	0.017	0.010	0.006

- Calculation of maximum cable length between camera and power supply :

$$10.5V DC \leq V_A - (R \times 0.42 \times L) \leq 16V DC$$

L : Cable length (meters)

R : Resistance of copper wire (Ω/meters)

V<sub>A</sub> : DC output voltage of power supply unit

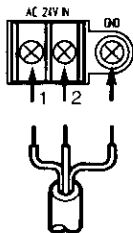
$$L_{\text{standard}} = \frac{V_A - 12}{0.42 \times R} \quad (\text{meters})$$

$$L_{\text{minimum}} = \frac{V_A - 16}{0.42 \times R} \quad (\text{meters})$$

$$L_{\text{maximum}} = \frac{V_A - 10.5}{0.42 \times R} \quad (\text{meters})$$

## C. WV-BP134 (24V AC 60 Hz)

Connect the power cable to the AC 24V IN terminal on the rear panel of the WV-BP134.



24V AC, 60 Hz  
(19.5 V - 28 V)

Recommended wire gauge sizes for 24V AC line

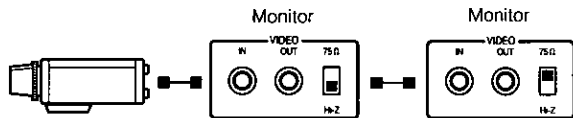
Copper wire size (AWG)		#24	#22	#20	#18
		(0.22mm <sup>2</sup> )	(0.33mm <sup>2</sup> )	(0.52mm <sup>2</sup> )	(0.83mm <sup>2</sup> )
Length of Cable (Approx.)	(m)	95	150	255	425
	(ft)	314	495	842	1 403

### Caution:

To prevent fire or electric shock hazard, use a UL listed wire (VW-1, style 1007) should be used for DC 12V or AC 24V Input Terminals.

## Video Cable

1. It is recommended to use a monitor whose resolution is at least equal to that of the camera.
2. Set the termination switch to the 75Ω position on the last monitor.
  - A. Use a 75Ω coaxial cable.
  - B. Set the termination switch to the 75Ω position on the last monitor and to the Hi-Z position on the other monitors. Do not change the positions after setting.



- C. The maximum extensible coaxial cable length between the camera and the monitor is shown below.

Type of coaxial cable		RG-59/U (3C-2V)	RG-6/U (5C-2V)	RG-11/U (7C-2V)	RG-15/U (10C-2V)
Recommended maximum cable length	(m)	250	500	600	800
	(ft)	825	1 650	1 980	2 640

### 3. Wiring precautions

- Do not bend the coaxial cable into a curve whose radius is smaller than 10 times the cable's diameter.
- Never staple the cable, not even with circular staples. Impedance mismatching will occur.
- Never crush or pinch the cable.

All of the above will change the impedance of the cable and cause poor picture quality.

## Installation of Auto Iris Lens Connector

Install the lens connector (YFE4191J100) when using a video drive ALC lens.

**The installation should be made by qualified service personnel or system installers.**

- (1) Cut the iris control cable at the edge of the lens connector to remove the existing lens connector and then remove the outer cable cover as shown in the diagram below.

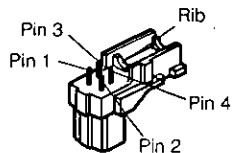
The pin assignment of the lens connector is as follows:

Pin 1: Power source; +9V DC, 50mA max.

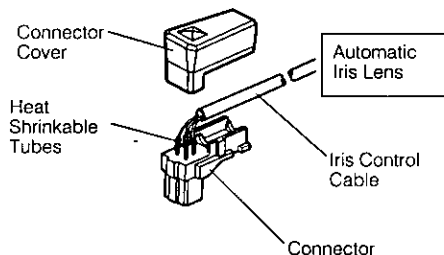
Pin 2: Not used

Pin 3: Video signal; 0.7 V[p-p]/40 k $\Omega$

Pin 4: Shield, ground



- (2) After connection, assemble the lens connector as follows.



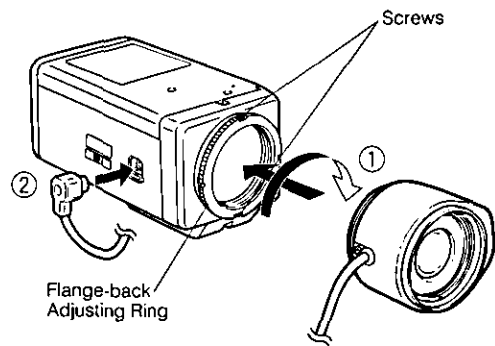
**Note:** When the iris control cable is too thick to lock the connector cover with the connector base, cut off the rib on the connector. (Set the lens type and drive signal selector to the VIDEO position.)

## Mounting the Lens

### Caution:

Before you mount the lens, loosen the two screws on the ring, and rotate this ring clockwise until it stops. If the ring is not at the end, the inner Lens or CCD image sensor may be damaged.

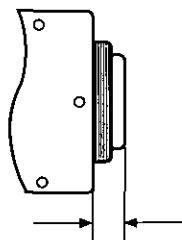
1. Mount the lens by turning it clockwise on the lens mount of the camera.
2. Connect the lens cable to the auto iris lens connector on the side of the camera.



## Caution for Mounting the Lens

The lens mount should be a C-mount or CS-mount (1"-32UN) and the lens weight should be less than 450g (0.99 lbs). If the lens is heavier, both the lens and camera should be secured by using the supporter.

The protrusion at the rear of the lens should be as shown below:

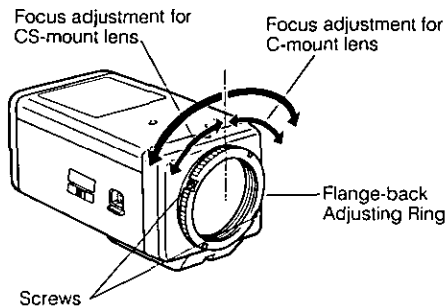


C-mount: Less than 11.5mm (7/16")  
CS-mount: Less than 7.2 mm (1/4")

## FOCUS OR FLANGE-BACK ADJUSTMENT

The following adjustment should be made by qualified service personnel or system installers.

1. Loosen the screws on the flange-back adjusting ring.



2. Turn the flange-back adjusting ring to the desired position.

**Caution:** When the C-mount lens is mounted, do not rotate the ring counterclockwise by force after it stops. If the ring is rotated by force, the inner lens or CCD image sensor may be damaged.

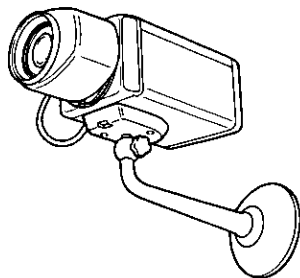
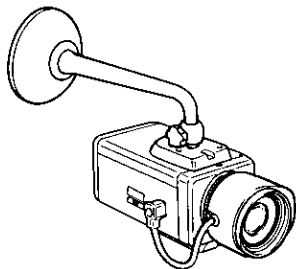
3. Tighten the screws on the flange-back adjusting ring.

## INSTALLATION OF CAMERA

- **Mounting from the bottom**

This camera is designed to be mounted from the bottom, as shown below. The mounting hole is a standard photographic pan-head screw size (1/4" - 20).

<Mounting at top>

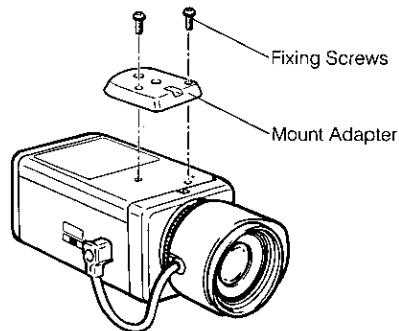


<Mounting at bottom>

- **Mounting from the top**

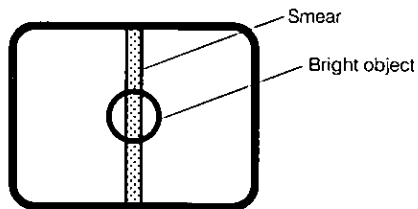
Remove the mount adapter from the bottom of the camera by removing the two fixing screws. Attach the mount adapter to the top as shown in the diagram, then mount the camera on the mounting bracket.

Make sure that the two original fixing screws are used when mounting the mount adapter as longer length screws may damage inner components.



## PREVENTION OF BLOOMING AND SMEAR

When the camera is aimed at a bright light, such as a spotlight, or a surface that reflects bright light, smear or blooming may appear. Therefore, the camera should be operated carefully in the vicinity of extremely bright objects to avoid smear or blooming.





## SPECIFICATIONS

Pick-up Device:	512 (H) x 492 (V) pixels, Interline Transfer CCD
Scanning Area:	4.8 (H) x 3.6 (V) mm (Equivalent to scanning area of 1/3" pick-up tube)
Synchronization:	Line-locked or Multiplexed Vertical Drive (VD2) for WV-BP130 and WV-BP134 Internal or Multiplexed Vertical Drive (VD2) for WV-BP132
Scanning System:	2 : 1 interlace
Scanning:	525 lines / 60 fields / 30 frames
Horizontal:	15.75 kHz
Vertical:	60 Hz
Video Output:	1.0 V[p-p] EIA composite 75 $\Omega$ / BNC connector
Horizontal Resolution:	380 lines
Signal-to-Noise Ratio:	46 dB
Electronic Light Control:	Equivalent to continuous variable shutter speed between 1/60 s and 1/80 000 s
Minimum Illumination:	0.08 lx (0.008 foot-candle) at F1.4
Lens Mount:	C-mount or CS-mount selectable
Ambient Operating Temperature:	-10°C - +50°C (14°F - 122°F)
Ambient Operating Humidity:	Less than 90%
Power Source and	WV-BP130           120V AC 60 Hz, 2.8W
Power Consumption:	WV-BP132           12V DC 175 mA
	WV-BP134           24V AC 60Hz, 2.7W

Dimensions (without lens):	67 (W) x 65 (H) x 123 (D) mm	
	[2-5/8" (W) x 2-9/16" (H) x 4-13/16" (D)]	
Weights (without lens):	WV-BP130	600 g (1.32 lbs.)
	WV-BP132	410 g (0.90 lbs.)
	WV-BP134	440 g (0.97 lbs.)

Weights and dimensions indicated are approximate.  
 Specifications are subject to change without notice.

## STANDARD ACCESSORIES

Body Cap .....	1 pc.
ALC Lens Connector (YFE4191J100) .....	1 pc.

**VERSION FRANÇAISE**  
(FRENCH VERSION)



**CAUTION ATTENTION**

RISK OF ELECTRIC SHOCK DO NOT OPEN  
RISQUE DE CHOCS ÉLECTRIQUES NE PAS OUVRIR



**ATTENTION:**  
AFIN DE PRÉVENIR LE RISQUE DE CHOCS ÉLECTRIQUES, NE PAS RETIRER LES VIS. TOUTE RÉPARATION DEVRAIT ÊTRE CONFIEE À UN PERSONNEL QUALIFIÉ.



SA 1965

Le symbole de l'éclair dans un triangle équilatéral indique la présence d'une tension suffisamment élevée pour engendrer un risque de chocs électriques.



SA 1966

Le point d'exclamation dans un triangle équilatéral indique que le manuel d'instructions inclus avec l'appareil contient d'importantes recommandations quant au fonctionnement et à l'entretien de ce dernier.

L'interférence radioélectrique générée par cet appareil numérique de type A ne dépasse pas les limites radioélectriques, section appareil numérique, du Ministère des Communications.

Nous vous suggérons de noter, dans l'espace prévu ci-dessous, le numéro de série inscrit sous le fond de l'appareil et de conserver ce manuel comme mémo-randum de votre achat afin d'en permettre l'identification en cas de vol.

Numéro de modèle \_\_\_\_\_

Numéro de série \_\_\_\_\_

**MISE EN GARDE: AFIN DE PRÉVENIR TOUT RISQUE D'INCENDIE OU DE CHOCS ÉLECTRIQUES, ÉVITER D'EXPOSER CET APPAREIL À LA PLUIE OU À UNE HUMIDITÉ EXCESSIVE.**

## TABLE DES MATIÈRES

PRÉFACE .....	19
CARACTÉRISTIQUES DOMINANTES .....	19
MESURES DE PRÉCAUTION .....	20
PRINCIPAUX ORGANES DE COMMANDE ET LEURS FONCTIONS .....	22
BRANCHEMENT DE SYSTÈME .....	25
RÉGLAGE DE MISE AU POINT OU DE FOYER ARRIÈRE .....	29
INSTALLATION DE LA CAMÉRA VIDÉO DE SURVEILLANCE .....	30
MESURE PRÉVENTIVE CONTRE L'HYPERLUMINOSITÉ ET LE TRAÎNAGE .....	31
CARACTÉRISTIQUES TECHNIQUES .....	32
ACCESSOIRES STANDARD .....	33

## PRÉFACE

Les caméras vidéo de surveillance des séries WV-BP130 Panasonic introduisent dès à présent une nouvelle norme de haute qualité d'image et d'excellente résolution car elles font usage d'un capteur d'image à D.T.C. interligne de 1/3 pouce doté de 512 pixels hori-

zontaux (éléments d'image). Il faut aussi noter que ce type de modèle fait appel à la technologie de découpage de bordure qui place la surveillance vidéo à un haut niveau de perfection.

## CARACTÉRISTIQUES DOMINANTES

1. Voici les fonctions qui sont incorporées.
  - (1) Contrôle automatique de lumière (ALC)/contrôle électronique de lumière (ELC)
  - (2) Compensation de contre-jour
  - (3) Synchronisation de fréquence trames et réseau ou commutation automatique  
Signal de commande de trames multiplexé (VD2) (uniquement les modèles WV-BP130 et WV-BP134)/synchronisation interne ou commutation automatique VD2 (uniquement le modèle WV-BP132)
2. Rapport signal-sur-bruit de 46 dB
3. Éclaircissement minimum de 0.08 lx (0.008 candéla-pied) avec les objectifs ouvrant à  $f/1,4$
4. Résolution horizontale de 380 lignes
5. Aptitude à filmer des scènes en intérieur avec des objectifs à ouverture fixe grâce à la fonction de contrôle électronique de lumière (ELC)
6. Possibilité de sélection d'un signal de commande de diaphragme automatique pour la commande de l'objectif à partir d'un signal vidéo ou d'un signal de commande c.c.



## MESURES DE PRÉCAUTION

### 1. Ne jamais essayer de démonter cette caméra vidéo de surveillance.

Ne jamais retirer les vis de fixation ni les éléments du coffret de la caméra vidéo sous peine de risque d'électrocution.

Aucun composant destiné à l'utilisation de l'utilisateur de l'appareil n'a été placé à l'intérieur. Confier tous les réglages et les opérations de dépannage à un technicien professionnel.

### 2. Manipuler la caméra vidéo de surveillance délicatement.

Ne jamais manipuler brutalement cette caméra vidéo de surveillance. Lui éviter tout choc, les secousses ou tout autre effet brutal. Cette caméra vidéo de surveillance risque d'être endommagée à la suite d'une manipulation brutale ou de conditions de rangement inappropriées.

### 3. Ne jamais exposer la caméra vidéo de surveillance à la pluie ni la soumettre à l'humidité et éviter de la placer dans des lieux humides.

Couper immédiatement l'alimentation de la caméra vidéo et demander à un dépanneur professionnel de la vérifier. Non seulement l'humidité risque d'endommager la caméra vidéo de surveillance, mais ceci peut également favoriser une électrocution dans les pires des cas.

### 4. Ne jamais se servir de produits détergents ou abrasifs agressifs pour nettoyer le coffret de la caméra vidéo.

Au contraire, se servir d'un morceau d'étoffe sèche pour nettoyer les surfaces extérieures de la caméra vidéo lorsqu'elles sont sales. Si l'encrassement est particulièrement tenace, imbibé l'étoffe d'une solution détergente neutre et frotter délicatement.

### 5. L'entretien de la surface de la plaque du dispositif D.T.C. doit être effectuée avec le plus grand soin.

Ne jamais se servir de produits détergents ou abrasifs agressifs pour nettoyer le dispositif D.T.C. Se servir de feuilles spéciales conçues pour l'entretien de la surface des objectifs photo ou d'un cotontige imprégné d'éthanol pour faire le nettoyage.

### 6. Ne jamais diriger la caméra vidéo directement vers le soleil.

La caméra vidéo ne doit jamais être dirigée vers des sources lumineuses intenses. Que la caméra soit mise en service ou non, il ne faut jamais la diriger directement vers le soleil. En effet, cette pratique peut entraîner la formation d'un traînage ou d'une hyperluminosité des images obtenues.

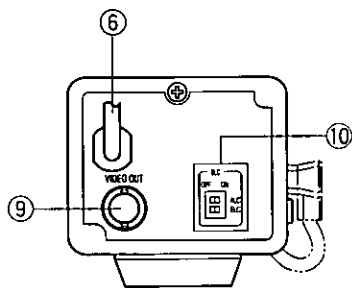
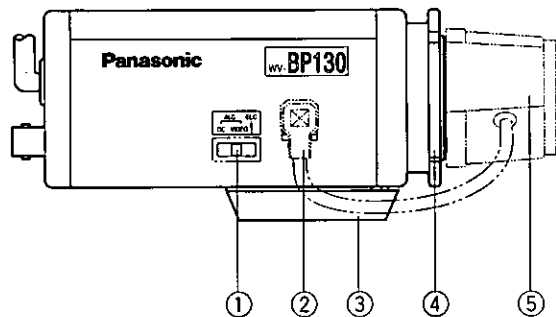
**7. La caméra vidéo de surveillance ne doit pas être mise en service dans des conditions qui dépassent les limites d'utilisation définies en termes de température, d'humidité ou de puissance d'alimentation.**

La caméra vidéo de surveillance doit être utilisée dans des conditions de température ambiante situées dans les limites de  $-10^{\circ}\text{C}$  à  $+50^{\circ}\text{C}$  ( $14^{\circ}\text{F}$  à  $122^{\circ}\text{F}$ ) et dans un milieu où le taux d'humidité est égal ou inférieur à 90%. La source d'alimentation appliquée doit être égale à 120 V de courant alternatif à 60 Hz pour le modèle WV-BP130, de 12 V de courant continu pour le modèle WV-BP132 et de 24 V de courant alternatif à 60 Hz pour le modèle WV-BP134.

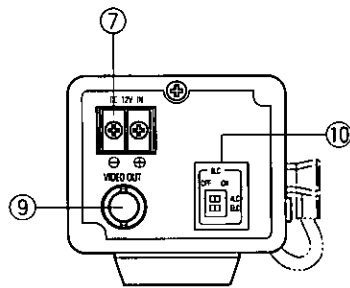
**Précaution:**

Pour éviter tout risque d'amorçage électrique ou d'électrocution, un câble UL doit être choisi parmi ceux mentionnés dans la liste (WV-1, style 1007) pour effectuer le raccordement aux bornes d'entrée 12 V c.c. ou 24 V c.a.

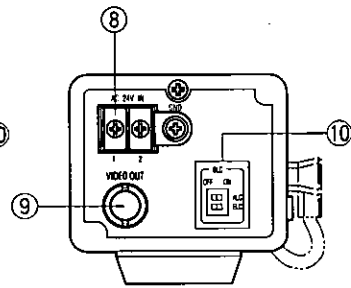
# PRINCIPAUX ORGANES DE COMMANDE ET LEURS FONCTIONS



WV-BP130



WV-BP132



WV-BP134



① **Sélecteur de type d'objectif et de signal de commande (ALC (VIDEO/DC), ELC)**

Choisir le mode en fonction du type d'objectif utilisé avec cette caméra vidéo de surveillance.

**ALC** : Choisir ce mode quand un objectif à diaphragme automatique (objectif ALC) est utilisé avec cette caméra vidéo de surveillance.

**ELC** : Choisir ce mode quand un objectif à focale fixe ou à diaphragme à réglage manuel est utilisé avec cette caméra vidéo de surveillance.

Si la position ALC a été sélectionnée, choisir le mode en fonction du type de signal de commande d'objectif à diaphragme automatique qui doit être appliqué à l'objectif à partir du connecteur d'objectif à diaphragme automatique.

**VIDEO**: Choisir ce mode si l'objectif à diaphragme automatique utilisé doit recevoir un signal de commande vidéo.

**DC**: Choisir ce mode si l'objectif à diaphragme automatique utilisé doit recevoir un signal de commande à courant continu.

② **Connecteur de cordon d'objectif à diaphragme automatique**

Ce connecteur est utilisé pour assurer la liaison à un objectif à diaphragme automatique en passant par l'intermédiaire du connecteur mâle à 4 broches fourni en qualité d'accessoire standard (no. de référence YFE4191J100).

③ **Embase filetée de fixation de caméra vidéo de surveillance**

Cette embase filetée permet de monter la caméra vidéo de surveillance sur une potence de fixation.

④ **Bague de réglage de foyer arrière**

Cette bague permet d'effectuer un réglage du foyer arrière ou de la mise au point de l'image. Une rotation dans le sens des aiguilles d'une montre doit être faite dans le cas d'un objectif à monture de type C ou dans le sens inverse des aiguilles d'une montre dans le cas d'un objectif à monture de type CS.

⑤ **Objectif (option)**

⑥ **Cordon d'alimentation (uniquement pour le modèle WV-BP130)**

Raccorder ce cordon d'alimentation à une prise de sortie secteur de 120 V de courant alternatif et fréquence de 60 Hz.

⑦ **Borne d'entrée 12 V de courant continu (DC 12V IN (uniquement pour le modèle WV-BP132))**

Cette borne sert au raccordement du cordon d'alimentation pour courant d'alimentation continu de 12 V.

⑧ **Borne d'entrée 24 V de courant alternatif (AC 24V IN (uniquement pour le modèle WV-BP134))**

Cette borne sert au raccordement du cordon d'alimentation pour courant d'alimentation continu de 24 V et fréquence de 60 Hz.

⑨ **Connecteur de sortie vidéo (VIDEO OUT)**

Ce connecteur assure une liaison au connecteur VIDEO IN du moniteur vidéo.

⑩ **Sélecteurs marche-arrêt de correction d'éclairage de contre-jour (BLC ON/OFF, ALC/ELC)**

Ils vous permettent de choisir le mode de fonctionnement BLC ON ou OFF en fonction de la position du sujet et des conditions d'éclairage observées sur l'écran du moniteur vidéo.

**BLC ON** : Ce mode doit être choisi lorsque l'éclairage de contre-jour est intense si des projecteurs d'éclairage sont utilisés par exemple. Ceci permet d'appliquer la fonction de correction d'éclairage de contre-jour.

**OFF** : Des images normales de caméra vidéo sont obtenues.

1. Vérifier la position des sélecteurs de type d'objectif et de signal de commande.
2. Si la position ALC (VIDEO/DC) est choisie, se servir du sélecteur supérieur (ALC) pour choisir le mode de fonctionnement.  
Si la position ELC est choisie, se servir du sélecteur inférieur pour choisir le mode de fonctionnement (ELC).

**Mesures de précaution:**

1. Se raccorder uniquement à une alimentation de classe 2 de 12 volts de courant continu (10,5 - 16 V) ou de 24 volts de courant alternatif (19,5 - 28 V). Lorsque la source d'alimentation choisie est du courant alternatif de 24 V.
2. Pour éviter tout risque d'amorçage électrique ou d'électrocution, un câble UL doit être choisi parmi ceux mentionnés dans la liste WV-1, style 1007, pour effectuer le raccordement aux bornes d'entrée.

## BRANCHEMENT DE SYSTÈME

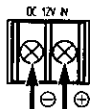
### A. WV-BP130

#### (courant alternatif 120 V, 60 Hz)

1. Raccorder le cordon d'alimentation secteur (fourni en accessoire standard) à la prise d'alimentation de la caméra vidéo.
2. Raccorder le cordon d'alimentation secteur à une prise de sortie secteur 120 V, 60 Hz.

### B. WV-BP132 (courant continu 12 V)

Raccorder le cordon d'alimentation à la borne d'entrée courant continu 12V IN implantée sur la face arrière de la WV-BP132.



12 V c.c.  
(10,5 V - 16 V)

#### Résistance des fils de cuivre [à 20°C (68°F)]

Calibre de fil de cuivre (calibrage américain normalisé)	#24 (0,22mm <sup>2</sup> )	#22 (0,33mm <sup>2</sup> )	#20 (0,52mm <sup>2</sup> )	#18 (0,83mm <sup>2</sup> )
Résistance $\Omega/m$	0,078	0,050	0,030	0,018
Résistance $\Omega/pd.$	0,026	0,017	0,010	0,006

- Procédé de calcul de longueur maximum des câbles à utiliser entre la caméra vidéo de surveillance et la source d'alimentation:

$$10,5 \text{ V de courant continu} \leq V_A - (R \times 0,42 \times L)$$

$$\leq 16 \text{ V de courant continu}$$

L: Longueur de câble (en mètre)

R: Résistance de fil de cuivre ( $\Omega/m$ )

V<sub>A</sub>: Tension continue d'alimentation de bloc d'alimentation

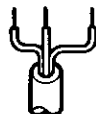
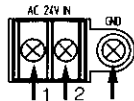
$$L \text{ standard} = \frac{V_A - 12}{0,42 \times R} \quad (\text{en mètre})$$

$$L \text{ minimum} = \frac{V_A - 16}{0,42 \times R} \quad (\text{en mètre})$$

$$L \text{ maximum} = \frac{V_A - 10,5}{0,42 \times R} \text{ (en mètre)}$$

### C. WV-BP134 (courant alternatif 24 V, 60 Hz)

Raccorder le cordon d'alimentation à la borne d'entrée courant alternatif 24V IN implantée sur la face arrière de la WV-BP134.



24 V c.a., 60 Hz  
(19,5 V - 28 V)

Calibres normalisés des fils de connexion recommandés pour une alimentation à courant alternatif 24 V.

Calibre de fil de cuivre (calibrage américain normalisé)	#24 (0,22mm <sup>2</sup> )	#22 (0,33mm <sup>2</sup> )	#20 (0,52mm <sup>2</sup> )	#18 (0,83mm <sup>2</sup> )
Longueur de câble (approx.) (m)	95	150	255	425
(pd.)	314	495	842	1 403

#### Précaution:

Pour éviter tout risque d'amorçage électrique ou d'électrocution, un câble UL doit être choisi parmi ceux mentionnés dans la liste (WV-1, style 1007) pour effectuer le raccordement.

### Câble vidéo

- Il est recommandé d'utiliser un moniteur vidéo dont la résolution est au moins égale ou supérieure à celle de la caméra vidéo de surveillance.
- Placer le sélecteur de terminaison du dernier moniteur vidéo en position 75 Ω.
  - Se servir d'un câble coaxial de 75 Ω.
  - Le sélecteur de terminaison du dernier moniteur vidéo doit être placé en position 75 Ω et en position Hi-Z pour tous les autres moniteurs vidéo.



- La longueur maximum de prolongement du câble coaxial qu'il est possible d'utiliser entre la caméra vidéo de surveillance et le moniteur vidéo est indiquée dans le tableau ci-après.

Type de câble coaxial		RG-59/U (3C-2V)	RG-6/U (5C-2V)	RG-11/U (7C-2V)	RG-15/U (10C-2V)
Longueur maximum de câble recommandée	(m)	250	500	600	800
	(pd.)	825	1 650	1 980	2 640

### 3. Mesures de précaution à prendre lors du câblage

- Ne jamais faire de boucles avec un câble coaxial dont le rayon est inférieur à 10 fois le diamètre du câble.
- Ne jamais agraffer le câble, même avec des agrafes courbées. En effet, un disaccordance d'impédance se produira.
- Ne jamais pincer ni écraser les câbles.

Tous ces défauts sont à l'origine d'une variation d'impédance du câble et affecte inévitablement la qualité des images.

## Installation d'un connecteur pour objectif à diaphragme automatique

Quand un objectif asservi à contrôle automatique de lumière (ALC) est utilisé, installer le connecteur d'objectif (YFE4191J100).

**L'installation suivante doit être faite par un technicien professionnel ou des installateurs de système qualifiés.**

- (1) Sectionner le câble de commande de diaphragme au ras du connecteur d'objectif puis sectionner la

gaine du câble extérieur en procédant de la façon représentée sur l'illustration ci-dessous.

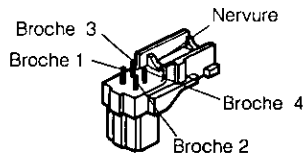
L'affectation des broches de connecteur d'objectif est la suivante:

Broche 1: Source d'alimentation: +9 V de courant continu, 50 mA maxi.

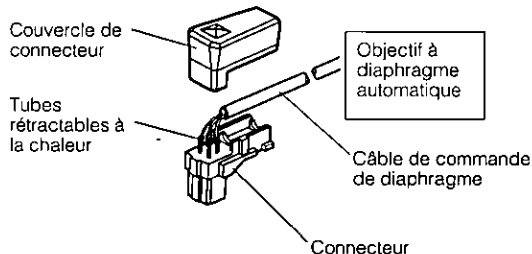
Broche 2: Not used

Broche 3: Signal vidéo: 0.7 V[p-p]/40 kΩ

Broche 4: Blindage, mass



- (2) Remettre le couvercle du connecteur en place sur le connecteur de la façon suivante dès que le raccordement est terminé.

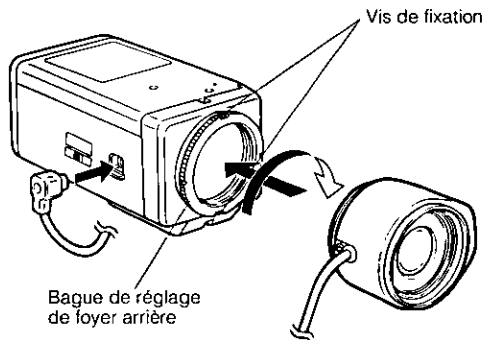


## Installation de l'objectif

### Précaution

Avant de monter l'objectif sur la caméra vidéo, desserrer les deux vis de fixation de monture d'objectif et faire tourner la bague dans le sens des aiguilles d'une montre jusqu'à ce qu'elle vienne en butée. En effet, si la bague n'arrive pas en bout de course, la surface en verre ou l'analyseur d'image à dispositif de transfert de charges risquent d'être endommagés par l'objectif.

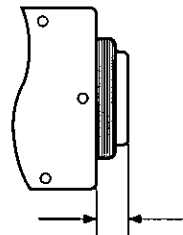
1. Monter l'objectif sur la caméra vidéo en le tournant dans le sens des aiguilles d'une montre sur la monture d'objectif de la caméra vidéo.
2. Raccorder le câble au connecteur d'objectif à diaphragme automatique visible sur le flanc de la caméra vidéo.



## Mesure de précaution à prendre lors de l'installation de l'objectif

La monture d'objectif doit être une monture de type C ou d'une monture de type CS (monture de 1 pouce 32 UN) tandis que le poids de l'objectif ne doit pas dépasser 450g (0.99 liv). Si l'objectif est plus lourd, la caméra vidéo de surveillance comme l'objectif doivent être maintenus avec le support.

La partie qui dépasse de l'arrière de l'objectif doit être comme représenté ci-dessous.



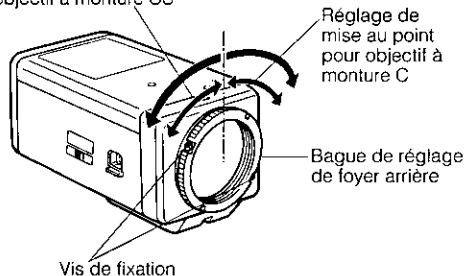
Monture de type C: Moins de 11.5mm (7/16 po)  
Monture de type CS: Moins de 7.2 mm (1/4 po)

## RÉGLAGE DE MISE AU POINT OU DE Foyer ARRIÈRE

Les réglages mentionnés ci-dessous doivent être exécutés par un technicien professionnel ou des installateurs de système qualifiés.

1. Desserrer les vis de fixation de la bague de réglage de foyer arrière.

Réglage de mise au point pour objectif à monture CS



2. Tourner la bague de réglage de foyer arrière sur la position désirée.

**Précaution:** Si un objectif à monture de type C est installé sur la caméra vidéo de surveillance, ne pas faire tourner la bague dans le sens inverse des aiguilles d'une montre en force après que la bague soit arrivée en butée. En effet, si la bague est tournée en force, la surface en verre ou l'analyseur d'image à dispositif de transfert de charges risquent d'être endommagés par l'objectif.

3. Bloquer fermement les vis de fixation de la bague de réglage de foyer arrière.

## INSTALLATION DE LA CAMÉRA VIDÉO DE SURVEILLANCE

### • Fixation par la base

Cette caméra vidéo de surveillance est conçue à l'origine pour être fixée par sa partie inférieure, comme représenté sur l'illustration ci-dessous. Le trou de fixation est un trou fileté de vis six pans photographique standard (de 1/4 de pouce 20).

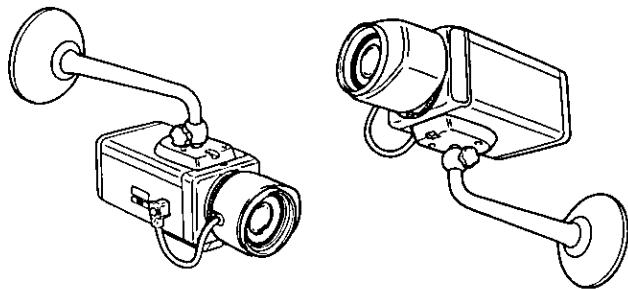
### • Fixation par le haut

Retirer l'adaptateur de monture de la partie inférieure de la caméra vidéo de surveillance en

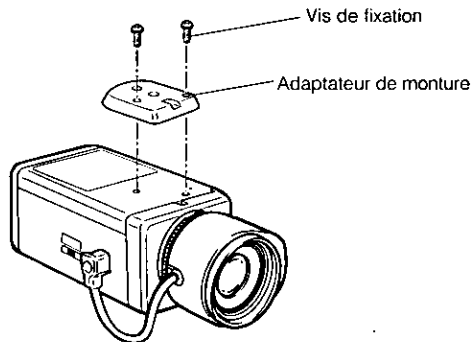
retirant les deux vis de fixation. Fixer l'adaptateur de monture sous la partie inférieure de la caméra vidéo de surveillance en procédant de la façon représentée sur l'illustration puis installer la caméra vidéo de surveillance sur la potence de fixation.

Les deux vis de fixation d'origine doivent être réutilisées pour remonter l'adaptateur de monture et l'usage de plus longues vis risquent d'endommager des composants internes de la caméra vidéo de surveillance.

<Fixation par le haut>



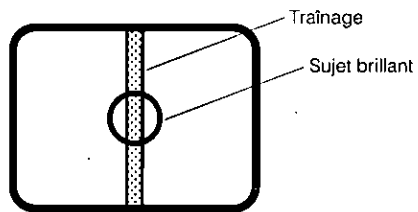
<Fixation par la base>





## MESURE PRÉVENTIVE CONTRE L'HYPERLUMINOSITÉ ET LE TRAÎNAGE

Lorsque la caméra vidéo de surveillance est dirigée vers une puissante source d'éclairage telle que des spots d'éclairage ou vers une surface réfléchissant la lumière, une hyperluminosité ou un traînage risquent de se produire. C'est la raison pour laquelle la caméra vidéo de surveillance doit être mise en fonction avec circonspection en présence d'objets très lumineux pour éviter qu'une hyperluminosité ou un traînage d'image ne se produise.



## CARACTÉRISTIQUES TECHNIQUES

Capteur d'image:	Dispositif à transfert de charges interligne de 512 (H) x 492 (V) pixels
Zone d'analyse:	4,8 (H) x 3,6 (V) mm (équivalent à une zone d'analyse d'un tube image de 1/3 de pouce)
Synchronization:	Synchronisation de fréquence trames et réseau ou commutation automatique ou signal de commande de trames multiplexé (VD2) pour les modèles WV-BP130 et WV-BP134 Synchronisation interne ou signal de commande de trames multiplexé (VD2) pour le modèle WV-BP132
Système de balayage:	Entrelacé 2 : 1
Balayage:	525 lignes / 60 trames / 30 images
Fréquence horizontale:	15,75 kHz
Fréquence verticale:	60 Hz
Sortie vidéo:	Signal vidéo composite EIA 1,0 V[p-p], 75 $\Omega$ /connecteur BNC
Résolution horizontale:	380 lignes
Rapport signal-sur-bruit:	46 dB
Contrôle électronique de lumière:	Équivalent à une vitesse d'obturation variable continue située entre 1/60 e et 1/80 000 e
Éclairage minimum:	0,08 lx (0.008 candéla-pied) à F1,4
Monture d'objectif:	Monture C ou monture CS à sélectionner
Limites de température ambiante en service:	-10°C - + 50°C (14°F-122°F)
Humidité ambiante en service:	Moins de 90 %
Source d'alimentation et Puissance consommée:	WV-BP130 120V c.a., 60 Hz, 2,8W WV-BP132 12V c.c., 175 mA WV-BP134 24V c.a., 60Hz, 2,7W

Dimensions (sans l'objectif):	67 (L) x 65 (H) x 123 (P) mm	
	[2-5/8 po (L) x 2-9/16 po (H) x 4-13/16 po (P)]	
Poids (sans l'objectif):	WV-BP130	600 g (1.32 liv.)
	WV-BP132	410 g (0.90 liv.)
	WV-BP134	450 g (0.97 liv.)

Les poids et dimensions indiqués sont approximatifs.

Sous réserve de modification des renseignements techniques sans préavis.

## ACCESSOIRES STANDARD

Capuchon d'objectif .....	1 él.
Connecteur d'objectif ALC (YFE4191J100).....	1 él.

# Panasonic

**Video Imaging Systems Company**

**A Division of Panasonic Broadcast & Television Systems Company  
A Unit of Matsushita Electric Corporation of America**

**Executive Office:** One Panasonic Way 4H-2, Secaucus, New Jersey 07094

**Regional Offices:**

**Northeast:** One Panasonic Way, Secaucus, NJ 07094 (201) 348-7303

**Southeast:** 1225 Northbrook Parkway, Suite 1-160, Suwanee, GA 30024 (770) 338-6838

**Midwest:** 1707 North Randall Road, Elgin, IL 60123 (847) 468-5211

**Southwest:** 8105 Beltline Road, Suite 100, Irving, TX 75063 (927) 915-1334

**Western:** 6550 Katella Ave., Cypress, CA 90630 (714) 373-7840

**PANASONIC CANADA INC.**

5770 Ambler Drive, Mississauga, Ontario, L4W 2T3 Canada (905)624-5010

**PANASONIC SALES COMPANY**

**DIVISION OF MATSUSHITA ELECTRIC OF PUERTO RICO, INC.**

San Gabriel Industrial Park, 65th Infantry Ave. KM. 9.5 Carolina, P.R. 00630 (809)750-4300

N0398-1048 YWV8QA4930BN  
Ⓝ 30

Printed in Japan  
Imprimé au Japon